

JIB500GR Main Features



- ✓ **3 MOVEMENTS AT THE SAME TIME**
- ✓ **DESIGNED FOR STEEL BEAMS HANDLING**
- ✓ **PLUG & PLAY SYSTEM**

180° TILT ANGLE

The JIB can tilt up to 180°, allowing the operator to position it in the exact position needed



FULLY HYDRAULIC MANIPULATOR

The JIB500GR is powered by the crane hydraulic system and is operated by the crane's radio remote control

360° ROTATION

Continuous hydraulic 360° rotation



JIB500GR



Jekko srl
Via Campardone, 1 - 31014 Colle Umberto (TV) Italy
info@jekko.it - www.jekko-cranes.com

Product Catalog

JIB500GR

max 230 kg

1650 x 1230 x 620 mm

The versatile grabber manipulator, with extremely precise movements. This tool dramatically increases productivity since a single operator can unload, handle and install a beam.



Technical Information

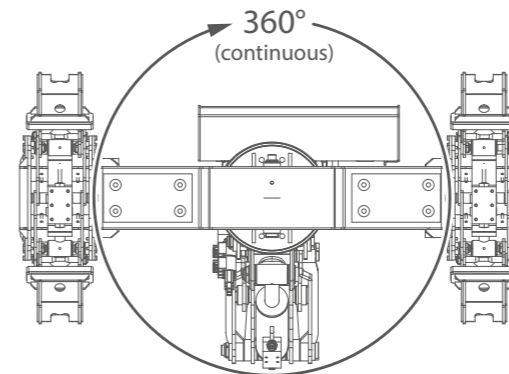
Dimension	L x W x H	250 x 1080 x 1305 mm	
Weights		Name/ version	kg
		JIB500GR	JIB500GR
Movements		Tilt A	-57° / +65°
		Tilt B	-34° / +26°
		Rotation	360°
Capacity		Maximum Capacity	Max: 500 kg



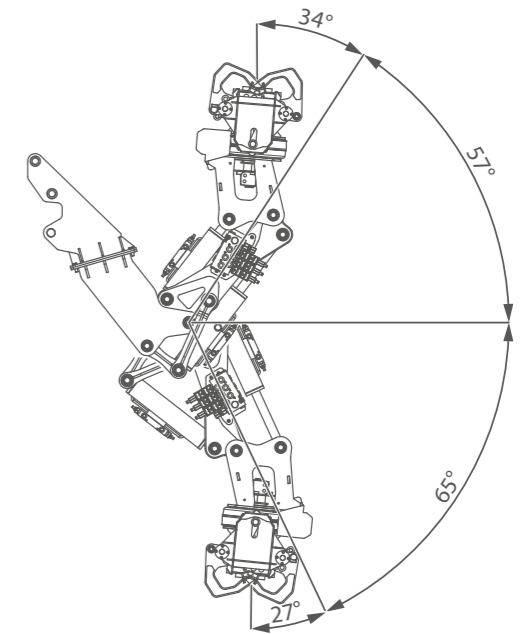
360° continuous rotation

Movements

ROTATION



TILT



Dimensions

